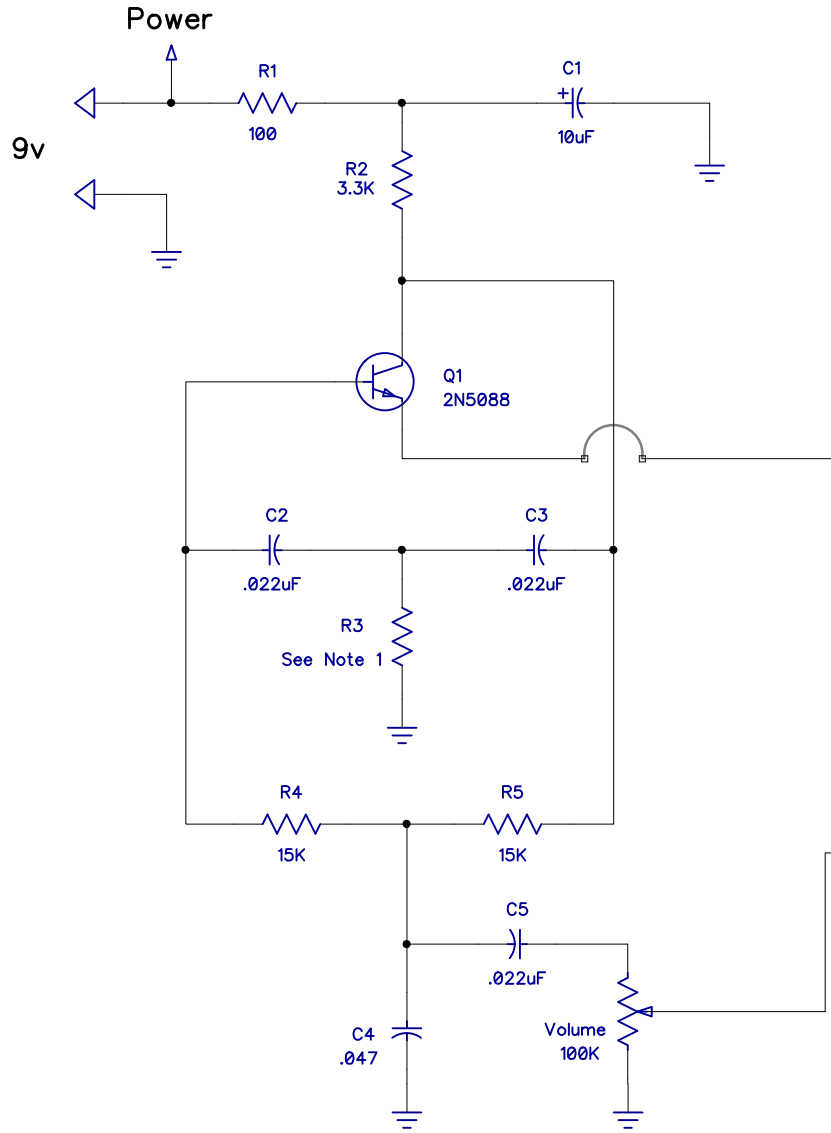
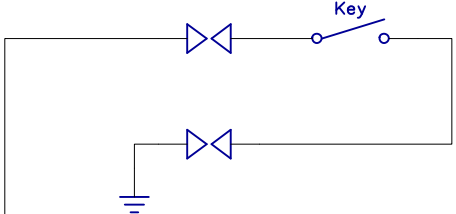


1

2



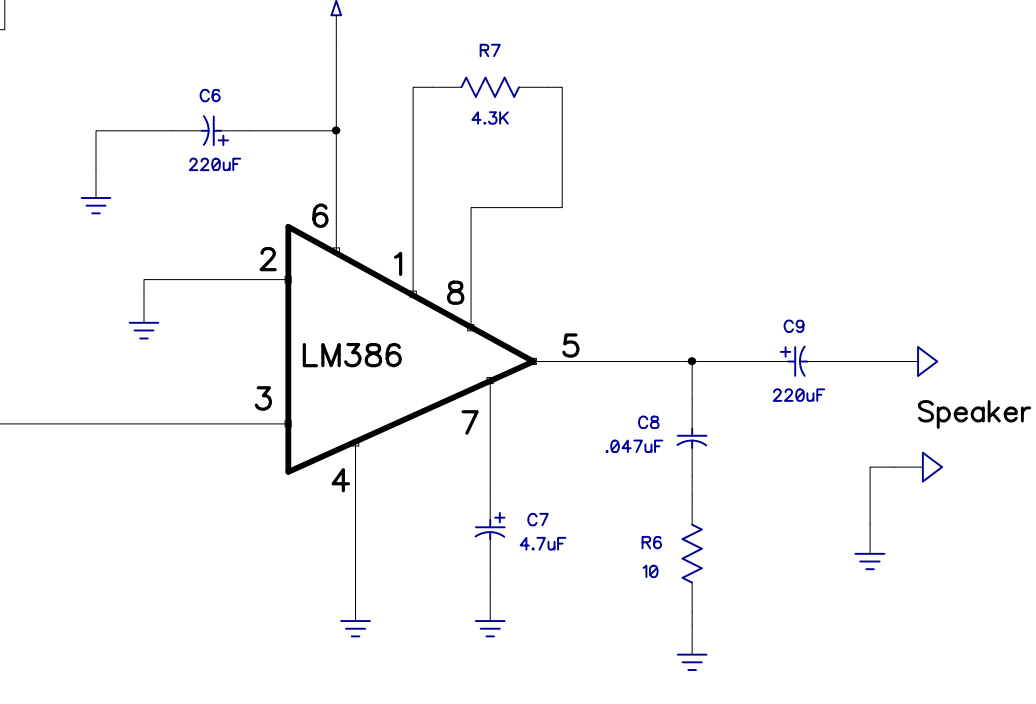
Key to Ground



Note 1:

Freq	R3
700 Hz	2.2K
1000 Hz	680

Power



A

A

B

B

1/4" Phono Jack = #3768
 Screw Terminal = #3743

NightFire Electronics LLC

	Code Practice Osc	Rev A
Sheet 1 of 1	A. Acosta	
April 2016	www.vakits.com	

1

2