

1 2 3 4

A

B

C

D

E

F

A

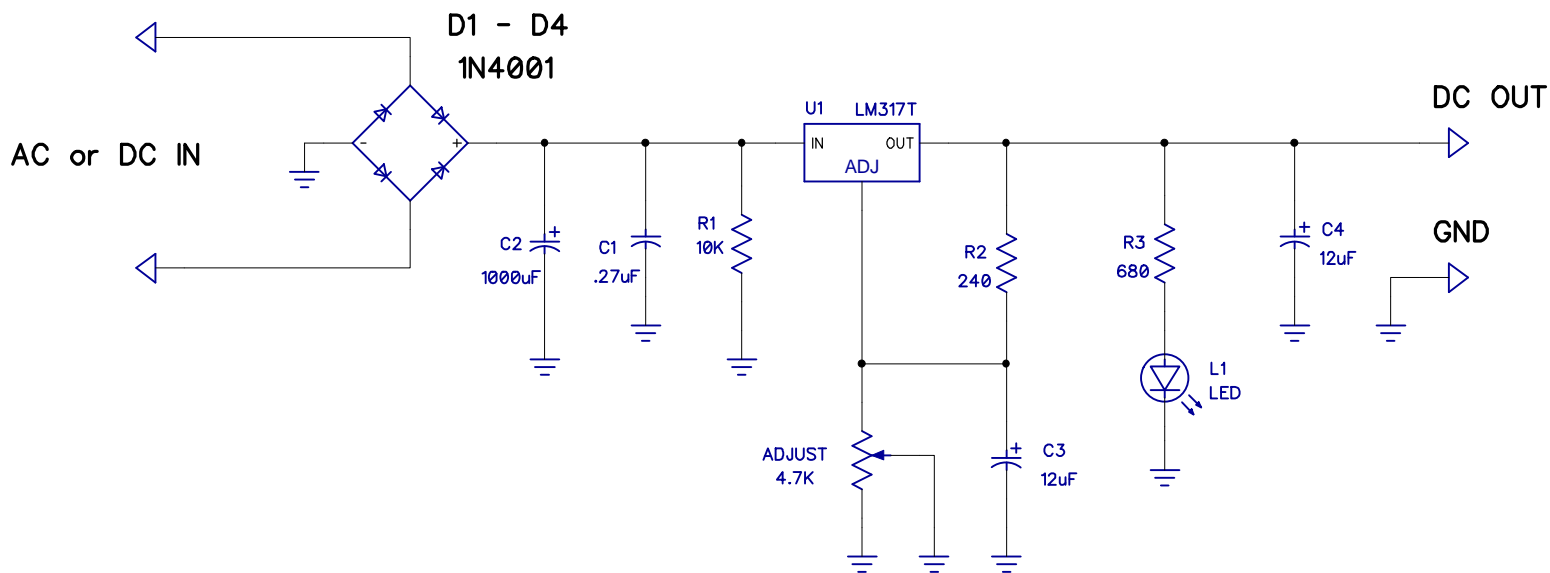
B

C

D

E

F



NOTES:

- Do not apply more than 15 volts AC to the AC inputs.
- Do not apply 120 VAC directly to the AC inputs.
- Requires a Step-Down Transformer if connecting to the 120 VAC line.
- The 1N4001 may be anything up to a 1N4007.
- The LED will dim as the voltage is lowered.

NightFire Electronics, LLC		
#1725	Adjustable Power Supply 2.5v to 25v @ 1 Amp	REV B
Sheet 1 of 1		A. Acosta
December 2018		www.vakits.com

1 2 3 4