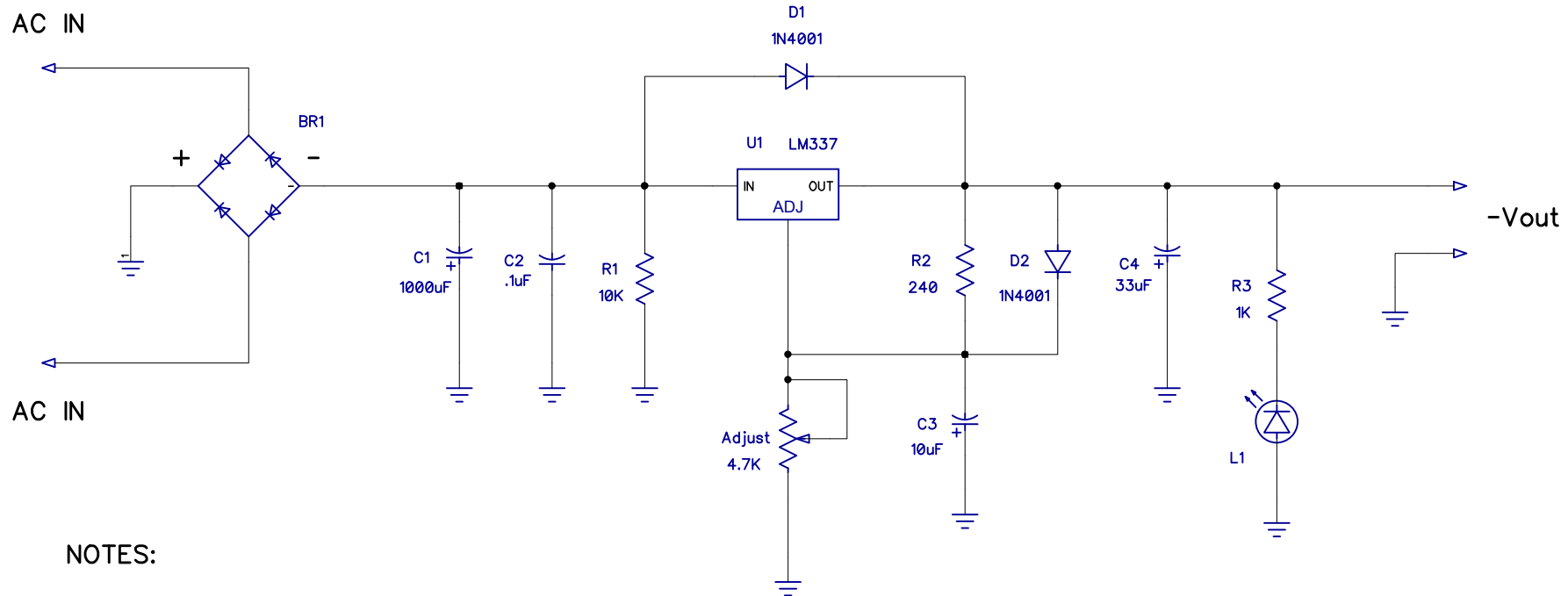


2

1



NOTES:

1. Observe the Aluminum Capacitor Polarities.
2. Voltage Regulator may need to be heat-sinked.
3. BR1 may be jumped out for step-down DC-DC conversions.
4. Do not connect to the AC Power lines.
5. Do not apply more the 25v DC to the inputs.
6. Do not apply more the 18v AC to the inputs.

NightFire Electronics

#1846 Adjustable Neg. Pwr Supply Rev A

2

1