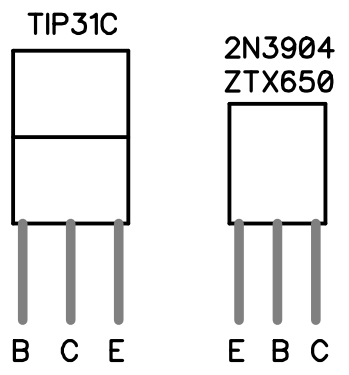


Notes:

Below is how to upgrade for more Power out.
 The holes for Q2 on the PCB is E-B-C.
 The TIP31C is B-C-E.
 Align the TIP31C so that the B goes in the Q3 center hole.
 The C of TIP31 will fit in the C of Q3.
 The E of TIP31C will be bent so that it goes to Pin 1 of U2.

VCC may be from 9v to 12v.
 VR1 will vary the rise and fall times.
 VR2 will vary the tone.



NightFire Electronics LLC		
#1747	British Siren	Rev B
Sheet 1 of 1		A. Acosta
April 2016		www.vakits.com