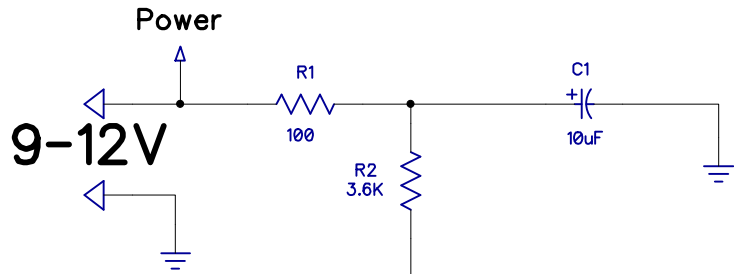


1

2



Key to Ground

Note 1:

	R3	Freq
2.2K	RED RED RED	700 Hz
680	BLUE GREY BROWN	1000 Hz

Notes:

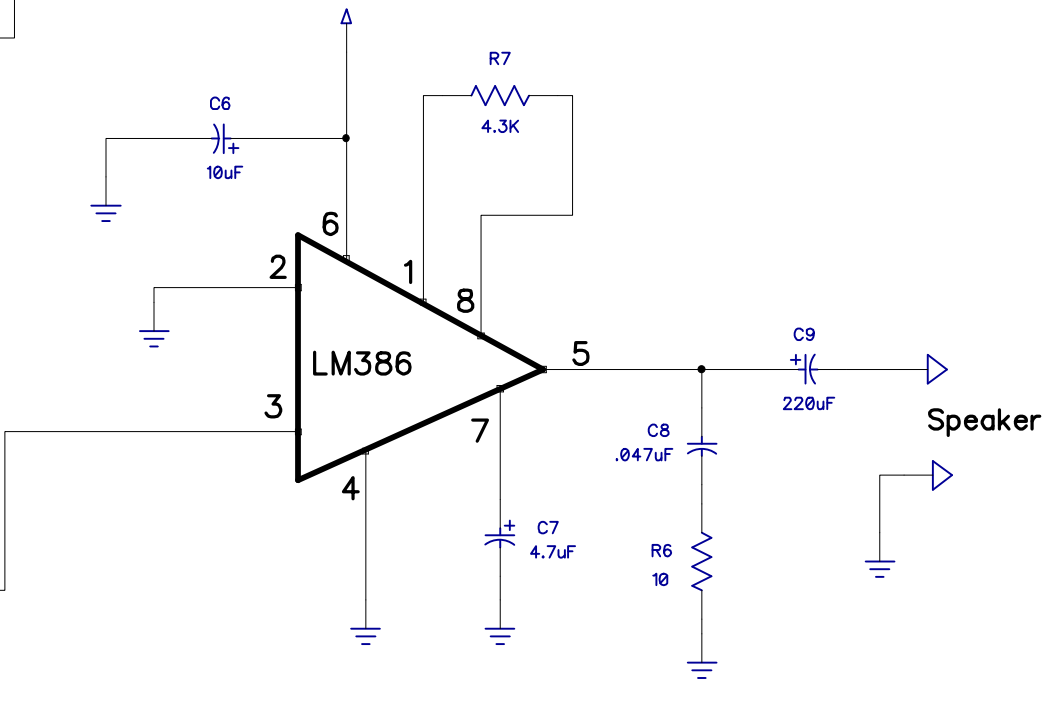
Resistors

- R1 BR BLK BR
- R2 ORG BLU RED
- R3 See Note 2
- R4 BR GRN ORG
- R5 BR GRN ORG
- R6 BR BLK BLK
- R7 YEL ORG RED

1/4" Phono, RCA, or 2-Pin for Input or Output
 Panel Mount Potentiometers.

1/4" Phono Jack = #3768
 Screw Terminal = #3743
 Green PCB

Power



NightFire Electronics LLC

	Code Practice Osc	Rev B
Sheet 1 of 1	A. Acosta	
July 2017	www.vakits.com	

1

2