

LM555 Timer

General Description

The LM555 is a highly stable device for generating accurate time delays or oscillation. Additional terminals are provided for triggering or resetting if desired. In the time delay mode of operation, the time is precisely controlled by one external resistor and capacitor. For astable operation as an oscillator, the free running frequency and duty cycle are accurately controlled with two external resistors and one capacitor. The circuit may be triggered and reset on falling waveforms, and the output circuit can source or sink up to 200mA or drive TTL circuits.

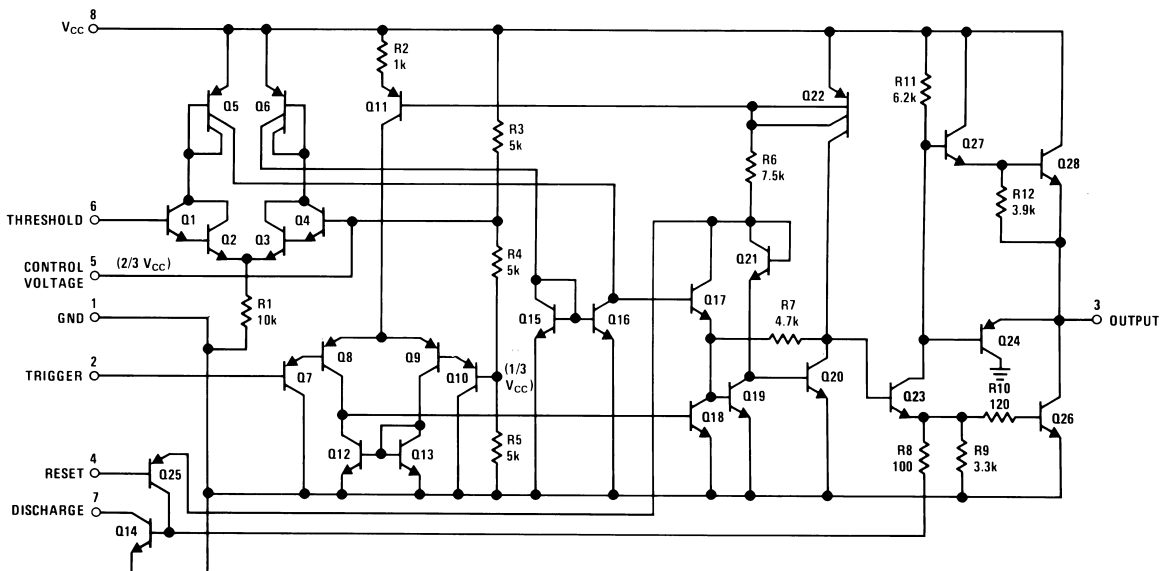
Features

- Direct replacement for SE555/NE555
- Timing from microseconds through hours
- Operates in both astable and monostable modes
- Adjustable duty cycle
- Output can source or sink 200 mA
- Output and supply TTL compatible
- Temperature stability better than 0.005% per °C
- Normally on and normally off output
- Available in 8-pin MSOP package

Applications

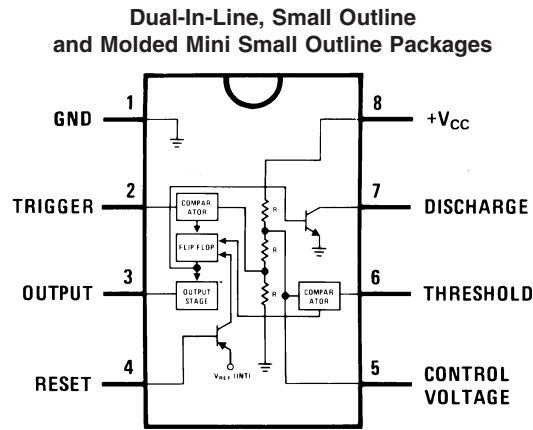
- Precision timing
- Pulse generation
- Sequential timing
- Time delay generation
- Pulse width modulation
- Pulse position modulation
- Linear ramp generator

Schematic Diagram



00785101

Connection Diagram



00785103

Ordering Information

| Package | Part Number | Package Marking | Media Transport | NSC Drawing |
|------------|-------------|-----------------|--------------------------|-------------|
| 8-Pin SOIC | LM555CM | LM555CM | Rails | M08A |
| | LM555CMX | LM555CM | 2.5k Units Tape and Reel | |
| 8-Pin MSOP | LM555CMM | Z55 | 1k Units Tape and Reel | MUA08A |
| | LM555CMMX | Z55 | 3.5k Units Tape and Reel | |
| 8-Pin MDIP | LM555CN | LM555CN | Rails | N08E |

Absolute Maximum Ratings (Note 2)

If Military/Aerospace specified devices are required, please contact the National Semiconductor Sales Office/Distributors for availability and specifications.

| | |
|------------------------------|-----------------|
| Supply Voltage | +18V |
| Power Dissipation (Note 3) | |
| LM555CM, LM555CN | 1180 mW |
| LM555CMM | 613 mW |
| Operating Temperature Ranges | |
| LM555C | 0°C to +70°C |
| Storage Temperature Range | -65°C to +150°C |

Soldering Information

| | |
|---|-------|
| Dual-In-Line Package | |
| Soldering (10 Seconds) | 260°C |
| Small Outline Packages (SOIC and MSOP) | |
| Vapor Phase (60 Seconds) | 215°C |
| Infrared (15 Seconds) | 220°C |

See AN-450 "Surface Mounting Methods and Their Effect on Product Reliability" for other methods of soldering surface mount devices.

Electrical Characteristics (Notes 1, 2)

($T_A = 25^\circ\text{C}$, $V_{CC} = +5\text{V}$ to $+15\text{V}$, unless otherwise specified)

| Parameter | Conditions | Limits | | | Units |
|---------------------------|---|----------|------------|---------|-----------------|
| | | LM555C | | | |
| | | Min | Typ | Max | |
| Supply Voltage | | 4.5 | | 16 | V |
| Supply Current | $V_{CC} = 5\text{V}$, $R_L = \infty$ $V_{CC} = 15\text{V}$, $R_L = \infty$ (Low State) (Note 4) | | 3 10 | 6 15 | mA |
| Timing Error, Monostable | | | | | |
| Initial Accuracy | | | 1 | | % |
| Drift with Temperature | $R_A = 1\text{k}$ to $100\text{k}\Omega$, $C = 0.1\mu\text{F}$, (Note 5) | | 50 | | ppm/°C |
| Accuracy over Temperature | | | 1.5 | | % |
| Drift with Supply | | | 0.1 | | %/V |
| Timing Error, Astable | | | | | |
| Initial Accuracy | | | 2.25 | | % |
| Drift with Temperature | $R_A, R_B = 1\text{k}$ to $100\text{k}\Omega$, $C = 0.1\mu\text{F}$, (Note 5) | | 150 | | ppm/°C |
| Accuracy over Temperature | | | 3.0 | | % |
| Drift with Supply | | | 0.30 | | %/V |
| Threshold Voltage | | | 0.667 | | $\times V_{CC}$ |
| Trigger Voltage | $V_{CC} = 15\text{V}$ $V_{CC} = 5\text{V}$ | | 5 1.67 | | V V |
| Trigger Current | | | 0.5 | 0.9 | μA |
| Reset Voltage | | 0.4 | 0.5 | 1 | V |
| Reset Current | | | 0.1 | 0.4 | mA |
| Threshold Current | (Note 6) | | 0.1 | 0.25 | μA |
| Control Voltage Level | $V_{CC} = 15\text{V}$ $V_{CC} = 5\text{V}$ | 9 2.6 | 10 3.33 | 11 4 | V |
| Pin 7 Leakage Output High | | | 1 | 100 | nA |
| Pin 7 Sat (Note 7) | | | | | |
| Output Low | $V_{CC} = 15\text{V}$, $I_7 = 15\text{mA}$ | | 180 | | mV |
| Output Low | $V_{CC} = 4.5\text{V}$, $I_7 = 4.5\text{mA}$ | | 80 | 200 | mV |

Electrical Characteristics (Notes 1, 2) (Continued)(T_A = 25°C, V_{CC} = +5V to +15V, unless otherwise specified)

| Parameter | Conditions | Limits | | | Units |
|----------------------------|--|--------|------|------|-------|
| | | LM555C | | | |
| | | Min | Typ | Max | |
| Output Voltage Drop (Low) | V _{CC} = 15V | | | | |
| | I _{SINK} = 10mA | | 0.1 | 0.25 | V |
| | I _{SINK} = 50mA | | 0.4 | 0.75 | V |
| | I _{SINK} = 100mA | | 2 | 2.5 | V |
| | I _{SINK} = 200mA | | 2.5 | | V |
| | V _{CC} = 5V | | | | |
| Output Voltage Drop (High) | I _{SINK} = 8mA | | 0.25 | 0.35 | V |
| | I _{SINK} = 5mA | | | | V |
| | I _{SOURCE} = 200mA, V _{CC} = 15V | | 12.5 | | V |
| Rise Time of Output | I _{SOURCE} = 100mA, V _{CC} = 15V | 12.75 | 13.3 | | V |
| | V _{CC} = 5V | 2.75 | 3.3 | | V |
| | | | | | |
| Fall Time of Output | | | 100 | | ns |

Note 1: All voltages are measured with respect to the ground pin, unless otherwise specified.

Note 2: Absolute Maximum Ratings indicate limits beyond which damage to the device may occur. Operating Ratings indicate conditions for which the device is functional, but do not guarantee specific performance limits. Electrical Characteristics state DC and AC electrical specifications under particular test conditions which guarantee specific performance limits. This assumes that the device is within the Operating Ratings. Specifications are not guaranteed for parameters where no limit is given, however, the typical value is a good indication of device performance.

Note 3: For operating at elevated temperatures the device must be derated above 25°C based on a +150°C maximum junction temperature and a thermal resistance of 106°C/W (DIP), 170°C/W (SO-8), and 204°C/W (MSOP) junction to ambient.

Note 4: Supply current when output high typically 1 mA less at V_{CC} = 5V.

Note 5: Tested at V_{CC} = 5V and V_{CC} = 15V.

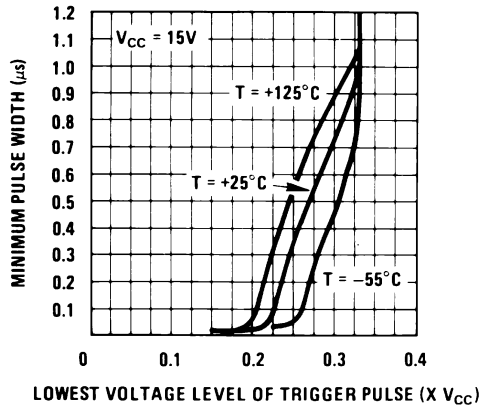
Note 6: This will determine the maximum value of R_A + R_B for 15V operation. The maximum total (R_A + R_B) is 20MΩ.

Note 7: No protection against excessive pin 7 current is necessary providing the package dissipation rating will not be exceeded.

Note 8: Refer to RETS555X drawing of military LM555H and LM555J versions for specifications.

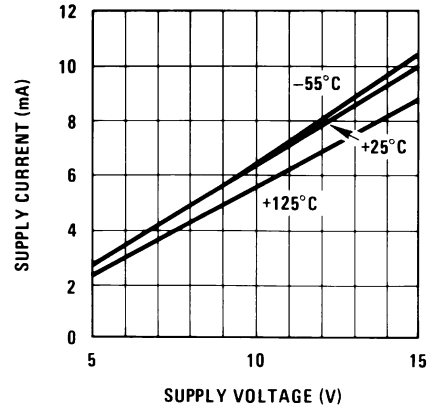
Typical Performance Characteristics

Minimum Pulse Width Required for Triggering



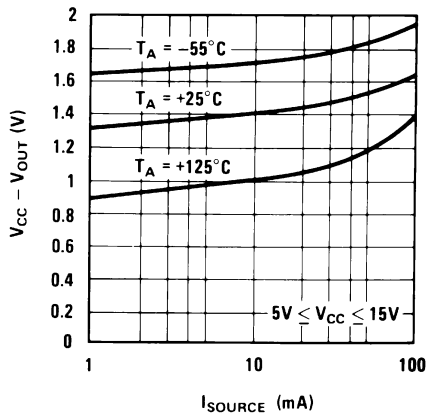
00785104

Supply Current vs. Supply Voltage



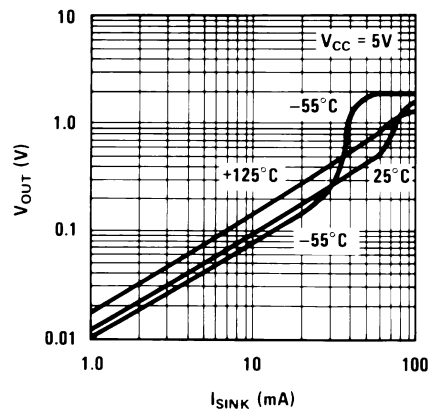
00785119

High Output Voltage vs. Output Source Current



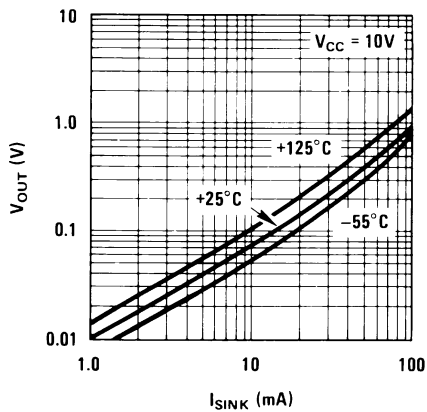
00785120

Low Output Voltage vs. Output Sink Current



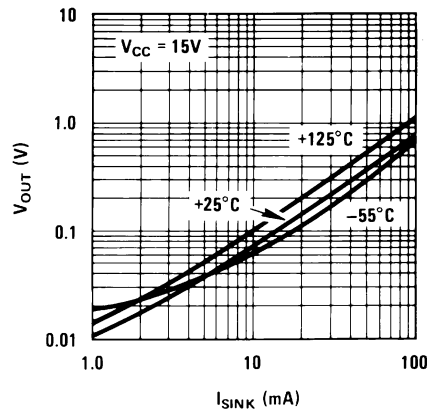
00785121

Low Output Voltage vs. Output Sink Current



00785122

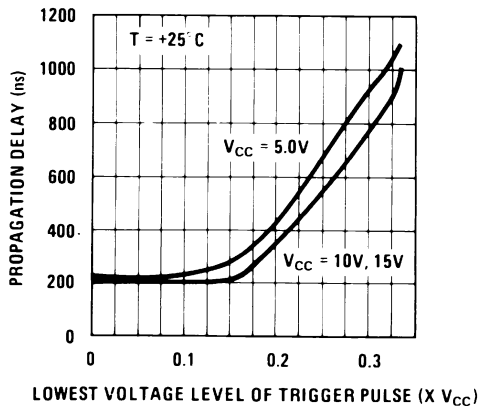
Low Output Voltage vs. Output Sink Current



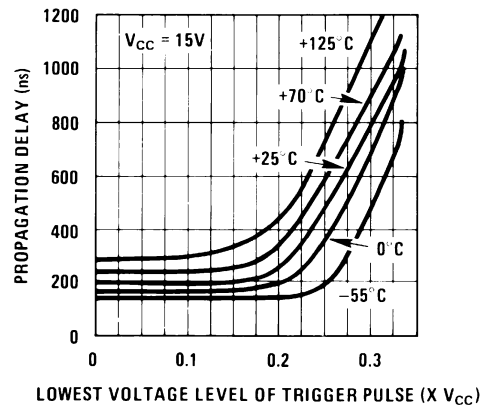
00785123

Typical Performance Characteristics (Continued)

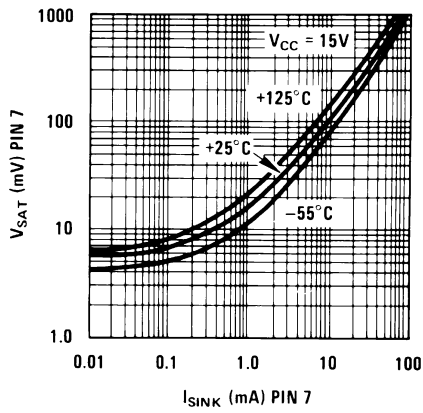
Output Propagation Delay vs. Voltage Level of Trigger Pulse



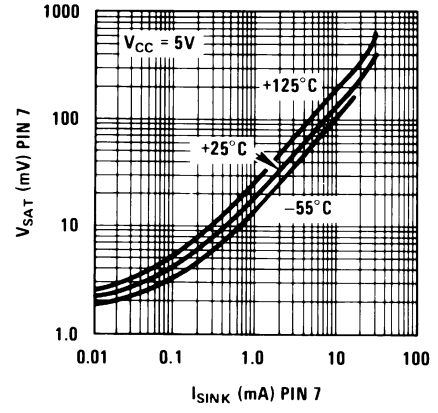
Output Propagation Delay vs. Voltage Level of Trigger Pulse



Discharge Transistor (Pin 7) Voltage vs. Sink Current



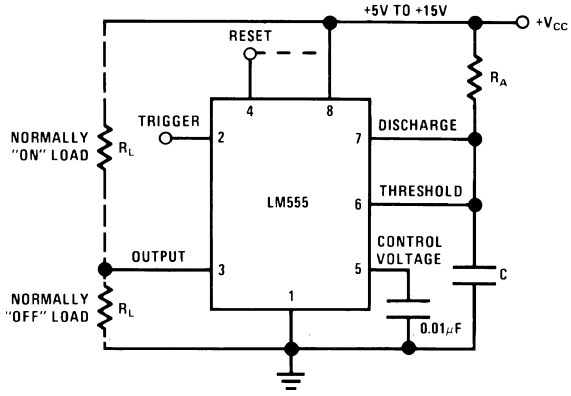
Discharge Transistor (Pin 7) Voltage vs. Sink Current



Applications Information

MONOSTABLE OPERATION

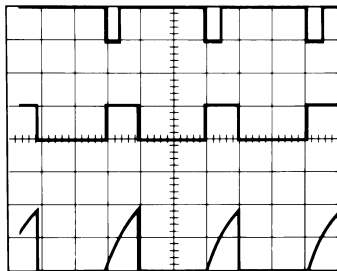
In this mode of operation, the timer functions as a one-shot (Figure 1). The external capacitor is initially held discharged by a transistor inside the timer. Upon application of a negative trigger pulse of less than $1/3 V_{CC}$ to pin 2, the flip-flop is set which both releases the short circuit across the capacitor and drives the output high.



00785105

FIGURE 1. Monostable

The voltage across the capacitor then increases exponentially for a period of $t = 1.1 R_A C$, at the end of which time the voltage equals $2/3 V_{CC}$. The comparator then resets the flip-flop which in turn discharges the capacitor and drives the output to its low state. Figure 2 shows the waveforms generated in this mode of operation. Since the charge and the threshold level of the comparator are both directly proportional to supply voltage, the timing interval is independent of supply.



00785106

$V_{CC} = 5V$
 TIME = 0.1 ms/DIV.
 $R_A = 9.1k\Omega$
 $C = 0.01\mu F$

Top Trace: Input 5V/Div.
 Middle Trace: Output 5V/Div.
 Bottom Trace: Capacitor Voltage 2V/Div.

FIGURE 2. Monostable Waveforms

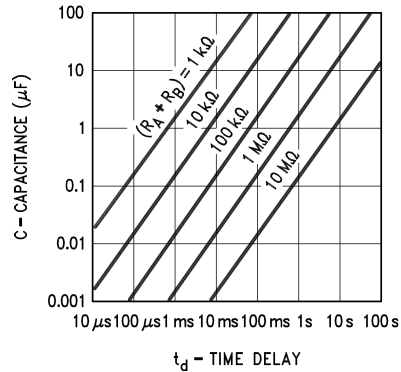
During the timing cycle when the output is high, the further application of a trigger pulse will not effect the circuit so long as the trigger input is returned high at least $10\mu s$ before the end of the timing interval. However the circuit can be reset

during this time by the application of a negative pulse to the reset terminal (pin 4). The output will then remain in the low state until a trigger pulse is again applied.

When the reset function is not in use, it is recommended that it be connected to V_{CC} to avoid any possibility of false triggering.

Figure 3 is a nomograph for easy determination of R, C values for various time delays.

NOTE: In monostable operation, the trigger should be driven high before the end of timing cycle.

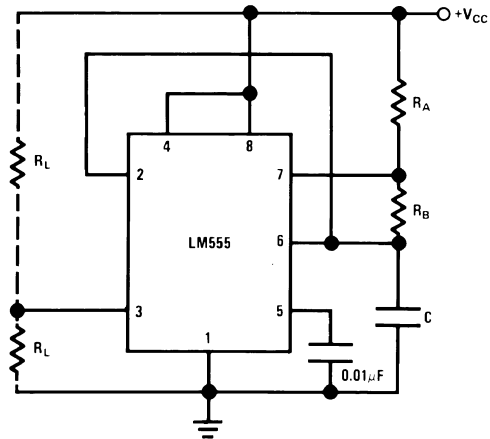


00785107

FIGURE 3. Time Delay

ASTABLE OPERATION

If the circuit is connected as shown in Figure 4 (pins 2 and 6 connected) it will trigger itself and free run as a multivibrator. The external capacitor charges through $R_A + R_B$ and discharges through R_B . Thus the duty cycle may be precisely set by the ratio of these two resistors.



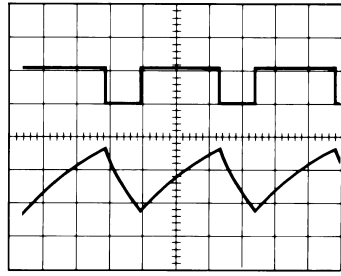
00785108

FIGURE 4. Astable

In this mode of operation, the capacitor charges and discharges between $1/3 V_{CC}$ and $2/3 V_{CC}$. As in the triggered mode, the charge and discharge times, and therefore the frequency are independent of the supply voltage.

Applications Information (Continued)

Figure 5 shows the waveforms generated in this mode of operation.



00785109

$V_{CC} = 5V$
 TIME = 20 μ s/DIV.
 $R_A = 3.9k\Omega$
 $R_B = 3k\Omega$
 $C = 0.01\mu F$

Top Trace: Output 5V/Div.
 Bottom Trace: Capacitor Voltage 1V/Div.

FIGURE 5. Astable Waveforms

The charge time (output high) is given by:

$$t_1 = 0.693 (R_A + R_B) C$$

And the discharge time (output low) by:

$$t_2 = 0.693 (R_B) C$$

Thus the total period is:

$$T = t_1 + t_2 = 0.693 (R_A + 2R_B) C$$

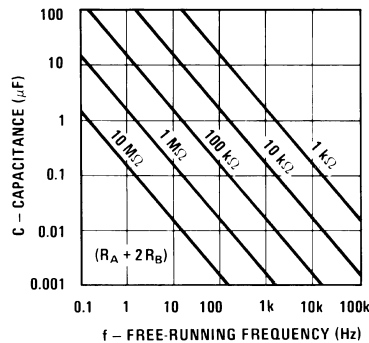
The frequency of oscillation is:

$$f = \frac{1}{T} = \frac{1.44}{(R_A + 2R_B) C}$$

Figure 6 may be used for quick determination of these RC values.

The duty cycle is:

$$D = \frac{R_B}{R_A + 2R_B}$$

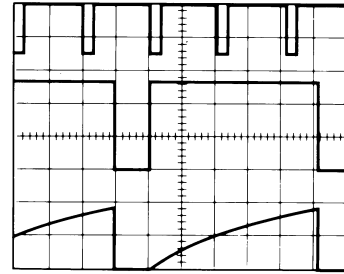


00785110

FIGURE 6. Free Running Frequency

FREQUENCY DIVIDER

The monostable circuit of Figure 1 can be used as a frequency divider by adjusting the length of the timing cycle. Figure 7 shows the waveforms generated in a divide by three circuit.



00785111

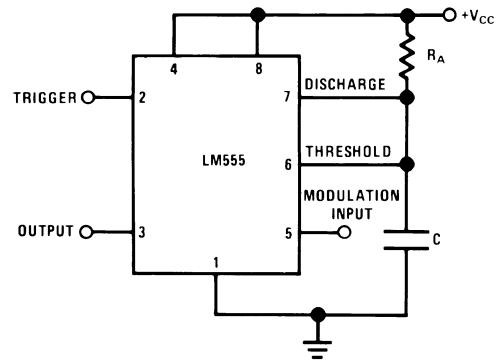
$V_{CC} = 5V$
 TIME = 20 μ s/DIV.
 $R_A = 9.1k\Omega$
 $C = 0.01\mu F$

Top Trace: Input 4V/Div.
 Middle Trace: Output 2V/Div.
 Bottom Trace: Capacitor 2V/Div.

FIGURE 7. Frequency Divider

PULSE WIDTH MODULATOR

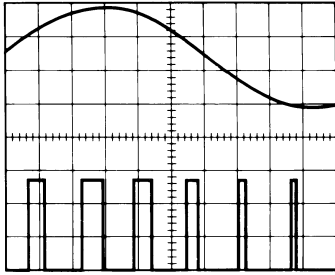
When the timer is connected in the monostable mode and triggered with a continuous pulse train, the output pulse width can be modulated by a signal applied to pin 5. Figure 8 shows the circuit, and in Figure 9 are some waveform examples.



00785112

FIGURE 8. Pulse Width Modulator

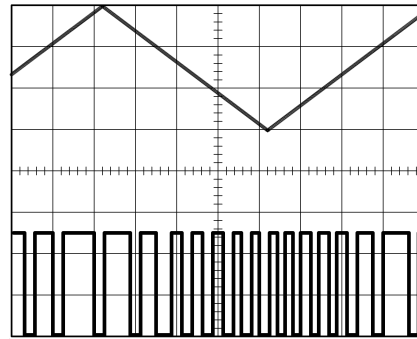
Applications Information (Continued)



00785113

V_{CC} = 5V
 Top Trace: Modulation 1V/Div.
 TIME = 0.2 ms/DIV. Bottom Trace: Output Voltage 2V/Div.
 R_A = 9.1kΩ
 C = 0.01μF

FIGURE 9. Pulse Width Modulator



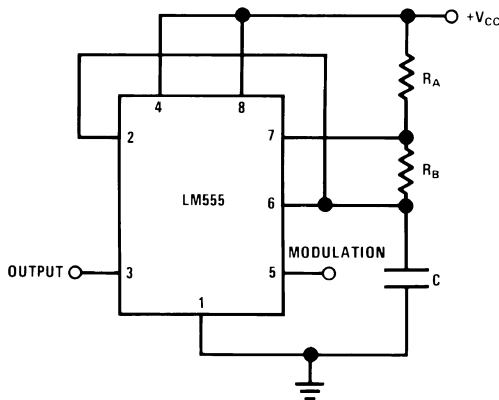
00785115

V_{CC} = 5V
 Top Trace: Modulation Input 1V/Div.
 TIME = 0.1 ms/DIV. Bottom Trace: Output 2V/Div.
 R_A = 3.9kΩ
 R_B = 3kΩ
 C = 0.01μF

FIGURE 11. Pulse Position Modulator

PULSE POSITION MODULATOR

This application uses the timer connected for astable operation, as in Figure 10, with a modulating signal again applied to the control voltage terminal. The pulse position varies with the modulating signal, since the threshold voltage and hence the time delay is varied. Figure 11 shows the waveforms generated for a triangle wave modulation signal.

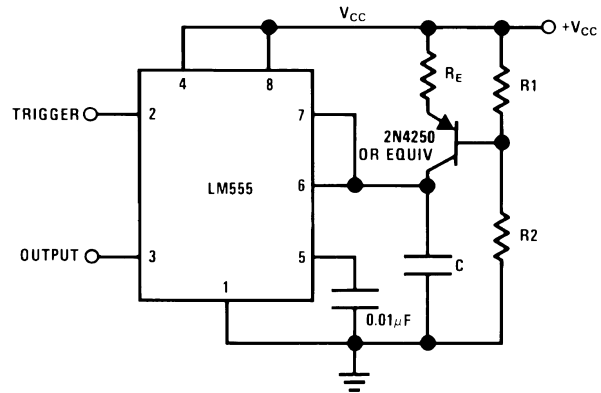


00785114

FIGURE 10. Pulse Position Modulator

LINEAR RAMP

When the pullup resistor, R_A, in the monostable circuit is replaced by a constant current source, a linear ramp is generated. Figure 12 shows a circuit configuration that will perform this function.



00785116

FIGURE 12.

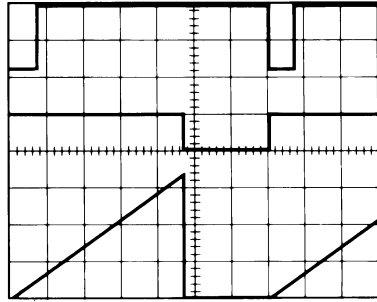
Figure 13 shows waveforms generated by the linear ramp. The time interval is given by:

$$T = \frac{2/3 V_{CC} R_E (R_1 + R_2) C}{R_1 V_{CC} - V_{BE} (R_1 + R_2)}$$

$$V_{BE} \cong 0.6V$$

$$V_{BE} \cong 0.6V$$

Applications Information (Continued)



00785117

$V_{CC} = 5V$ Top Trace: Input 3V/Div.
 TIME = 20 μ s/DIV. Middle Trace: Output 5V/Div.
 $R_1 = 47k\Omega$ Bottom Trace: Capacitor Voltage 1V/Div.
 $R_2 = 100k\Omega$
 $R_E = 2.7 k\Omega$
 $C = 0.01 \mu F$

FIGURE 13. Linear Ramp

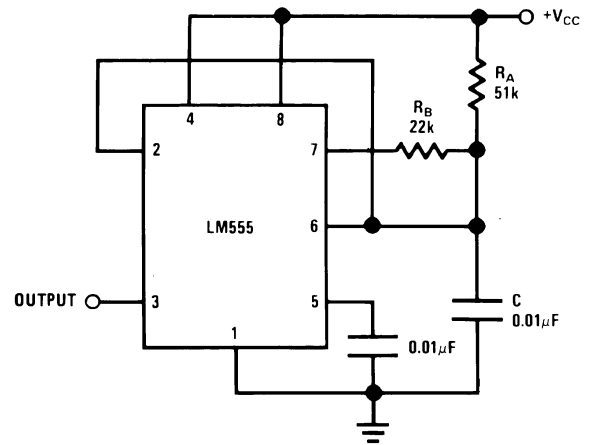
50% DUTY CYCLE OSCILLATOR

For a 50% duty cycle, the resistors R_A and R_B may be connected as in Figure 14. The time period for the output high is the same as previous, $t_1 = 0.693 R_A C$. For the output low it is $t_2 =$

$$\left[(R_A R_B) / (R_A + R_B) \right] C \ln \left[\frac{R_B - 2R_A}{2R_B - R_A} \right]$$

Thus the frequency of oscillation is

$$f = \frac{1}{t_1 + t_2}$$



00785118

FIGURE 14. 50% Duty Cycle Oscillator

Note that this circuit will not oscillate if R_B is greater than $1/2 R_A$ because the junction of R_A and R_B cannot bring pin 2 down to $1/3 V_{CC}$ and trigger the lower comparator.

ADDITIONAL INFORMATION

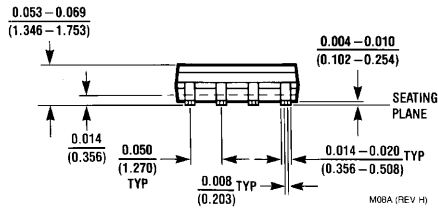
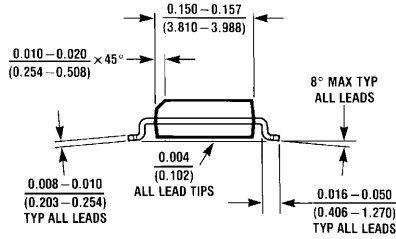
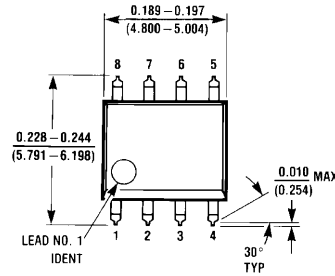
Adequate power supply bypassing is necessary to protect associated circuitry. Minimum recommended is 0.1 μ F in parallel with 1 μ F electrolytic.

Lower comparator storage time can be as long as 10 μ s when pin 2 is driven fully to ground for triggering. This limits the monostable pulse width to 10 μ s minimum.

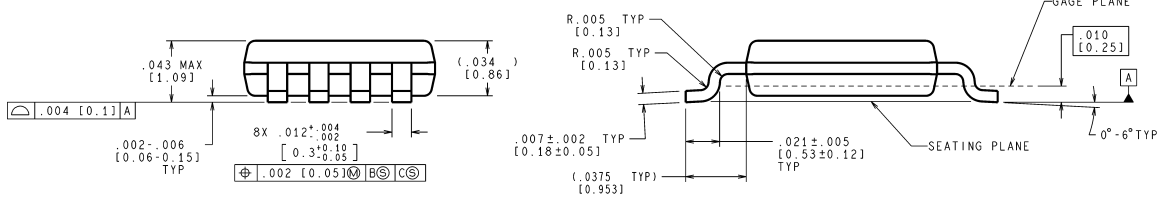
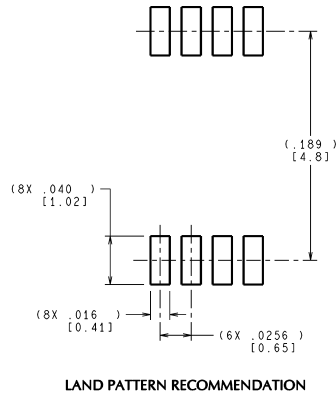
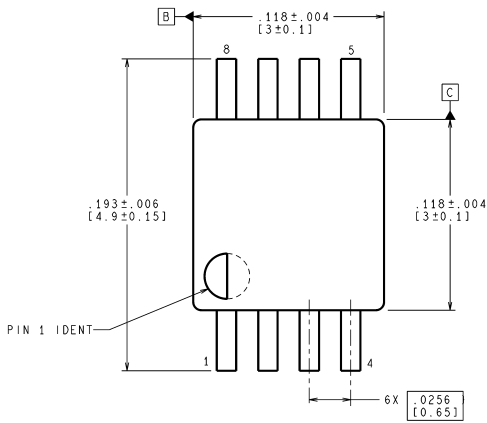
Delay time reset to output is 0.47 μ s typical. Minimum reset pulse width must be 0.3 μ s, typical.

Pin 7 current switches within 30ns of the output (pin 3) voltage.

Physical Dimensions inches (millimeters) unless otherwise noted



**Small Outline Package (M)
NS Package Number M08A**

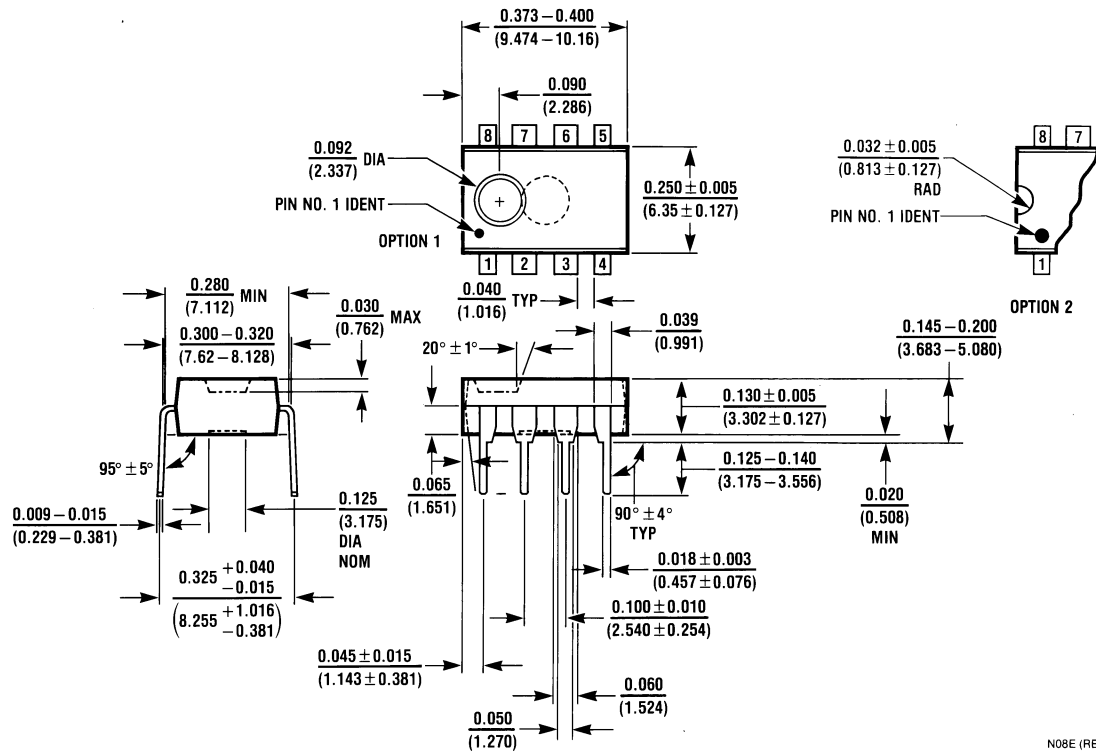


CONTROLLING DIMENSION IS INCH
VALUES IN [] ARE MILLIMETERS

MUA08A (Rev E)

**8-Lead (0.118" Wide) Molded Mini Small Outline Package
NS Package Number MUA08A**

Physical Dimensions inches (millimeters) unless otherwise noted (Continued)



**Molded Dual-In-Line Package (N)
NS Package Number N08E**

N08E (REV F)

National does not assume any responsibility for use of any circuitry described, no circuit patent licenses are implied and National reserves the right at any time without notice to change said circuitry and specifications.

For the most current product information visit us at www.national.com.

LIFE SUPPORT POLICY


NATIONAL'S PRODUCTS ARE NOT AUTHORIZED FOR USE AS CRITICAL COMPONENTS IN LIFE SUPPORT DEVICES OR SYSTEMS WITHOUT THE EXPRESS WRITTEN APPROVAL OF THE PRESIDENT AND GENERAL COUNSEL OF NATIONAL SEMICONDUCTOR CORPORATION. As used herein:

1. Life support devices or systems are devices or systems which, (a) are intended for surgical implant into the body, or (b) support or sustain life, and whose failure to perform when properly used in accordance with instructions for use provided in the labeling, can be reasonably expected to result in a significant injury to the user.
2. A critical component is any component of a life support device or system whose failure to perform can be reasonably expected to cause the failure of the life support device or system, or to affect its safety or effectiveness.

BANNED SUBSTANCE COMPLIANCE

National Semiconductor follows the provisions of the Product Stewardship Guide for Customers (CSP-9-111C2) and Banned Substances and Materials of Interest Specification (CSP-9-111S2) for regulatory environmental compliance. Details may be found at: www.national.com/quality/green.

Lead free products are RoHS compliant.

 **National Semiconductor**
Americas Customer
Support Center
Email: new.feedback@nsc.com
Tel: 1-800-272-9959

National Semiconductor
Europe Customer Support Center
Fax: +49 (0) 180-530 85 86
Email: europe.support@nsc.com
Deutsch Tel: +49 (0) 69 9508 6208
English Tel: +44 (0) 870 24 0 2171
Français Tel: +33 (0) 1 41 91 8790

National Semiconductor
Asia Pacific Customer
Support Center
Email: ap.support@nsc.com

National Semiconductor
Japan Customer Support Center
Fax: 81-3-5639-7507
Email: jpn.feedback@nsc.com
Tel: 81-3-5639-7560