

1

2

3

4

A

B

C

D

E

F

A

B

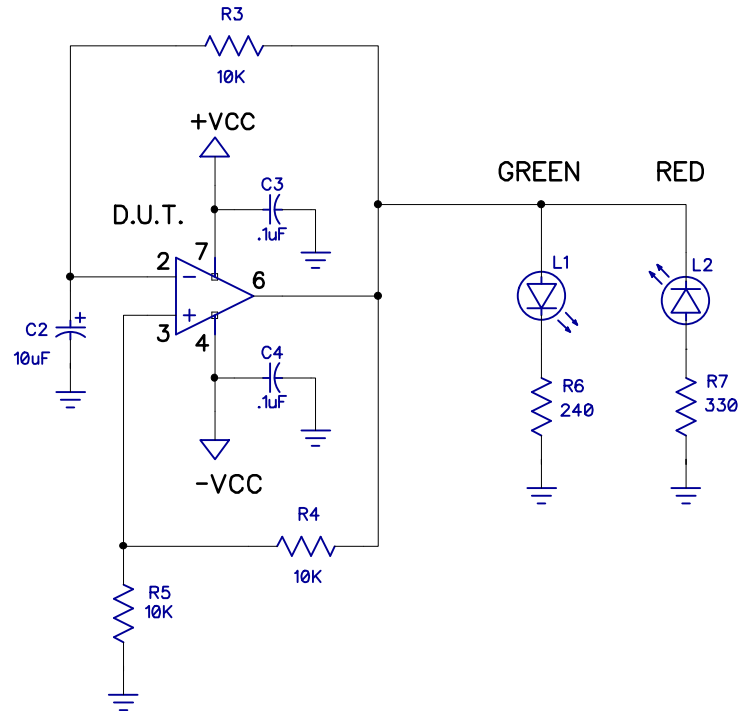
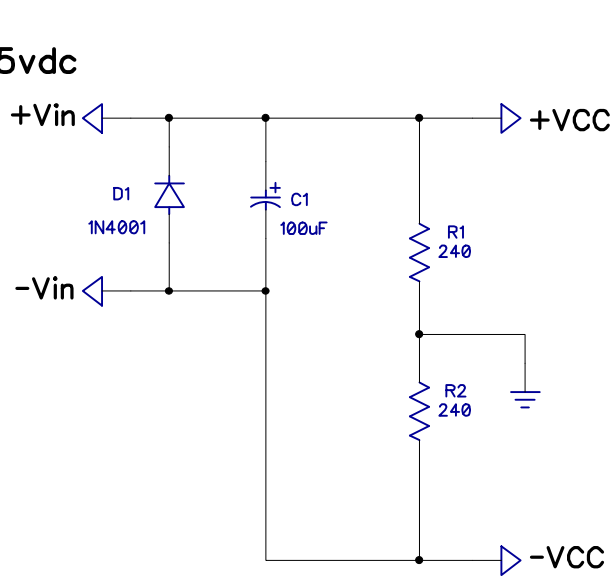
C

D

E

F

6vdc to 15vdc



Notes:

- Place the IC so that its Pin 1 fits in Pin 1 of the ZIF socket.
- The bottom 3 sets of pins are NOT used, Do not plug anything into them.
- Power Supply can be from 6vdc to 15vdc.
- Battery Negative should NOT be connected to circuit negative.
- R3 controls the rate of flash.

NightFire Electronics, LLC		
	Single Op Amp Tester	REV A
Sheet 1 of 1	A. Acosta	
Oct 2017	www.vakits.com	

1

2

3

4