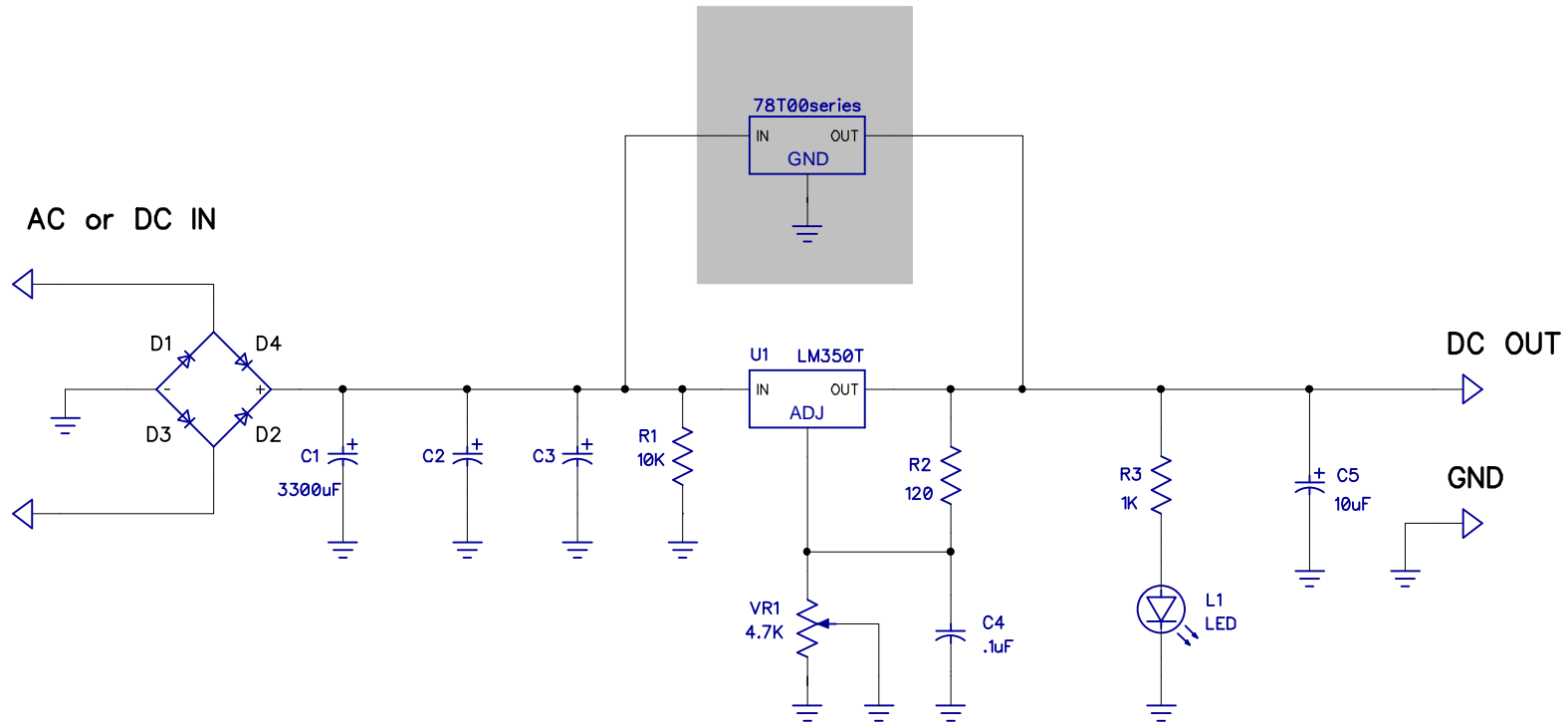


NOTES:

Components in the GRAY area are not installed when PCB is used as an Adjustable Power Supply.



NOTES:

- Do not apply more than 24 volts AC to the AC Inputs.
- Do not apply 120 VAC directly to the AC Inputs.
- Requires a Step-Down Transformer if connecting to the 120 VAC line.
- U1 may require a heat sink if it gets hot to the touch.
- If C1 is not available, use C2 & C3.
- D1-D4 may be 3 Amp or 1 Amp Diodes.
- This design will accommodate either Adjustable or Fixed Power Supply.
- This design will accommodate either a 3-Amp or 1-Amp design.

<b>NightFire Electronics</b>		
Adjustable Power Supply	3 Amps - LM350T	Rev A
September 2014		www.vakits.com