

1

2

3

4

A

B

C

D

E

F

A

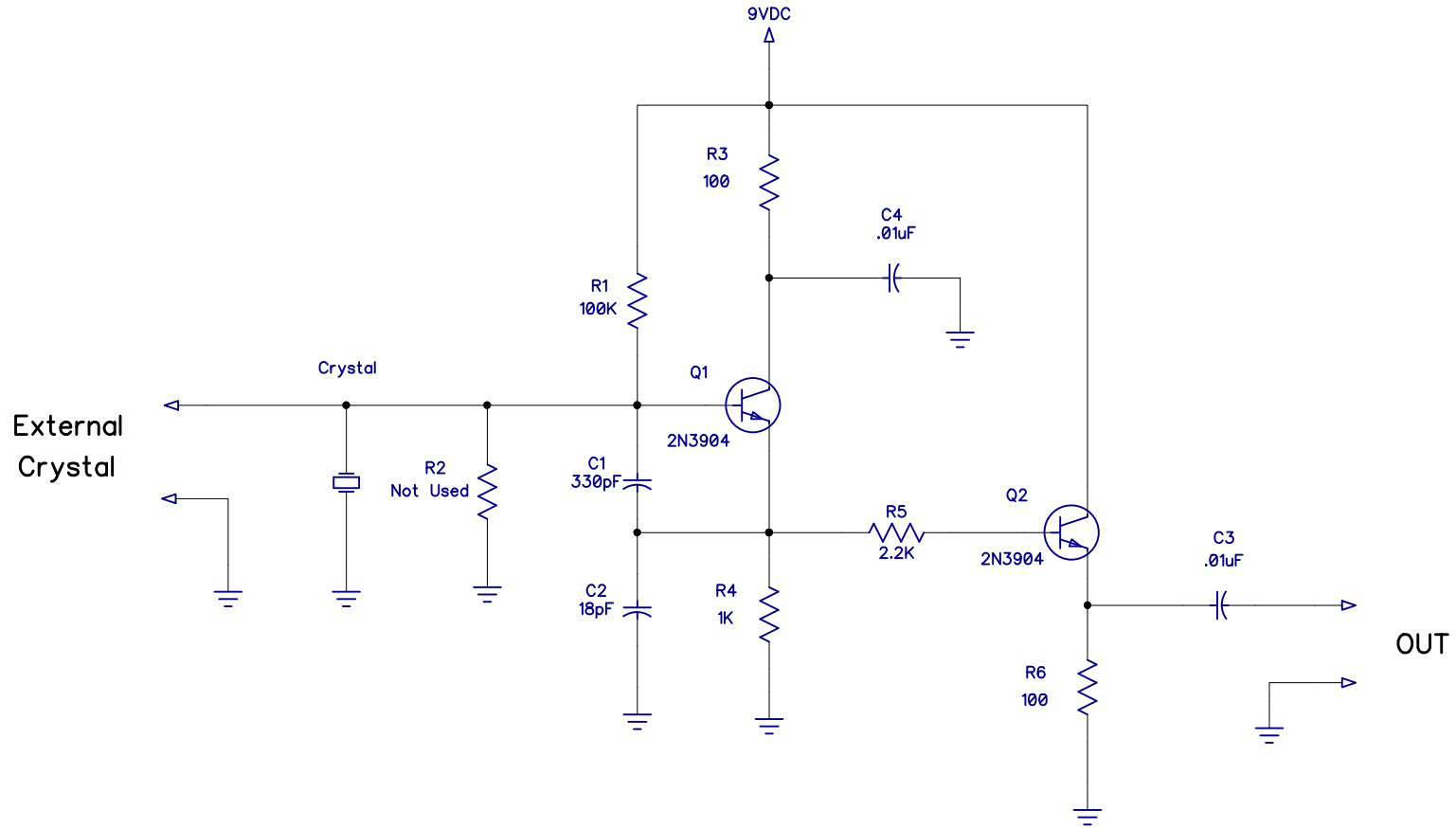
B

C

D

E

F



External
Crystal

Crystal

R2
Not Used

R1
100K

R3
100

Q1
2N3904

C1
330pF

C2
18pF

R4
1K

R5
2.2K

Q2
2N3904

R6
100

C4
.01uF

C3
.01uF

OUT

Notes:

For best output, change C1 & C2 for optimum output.

Nightfire Electronics		
#1720	Crystal Oscillator www.vakits.com	Rev A

1

2

3

4