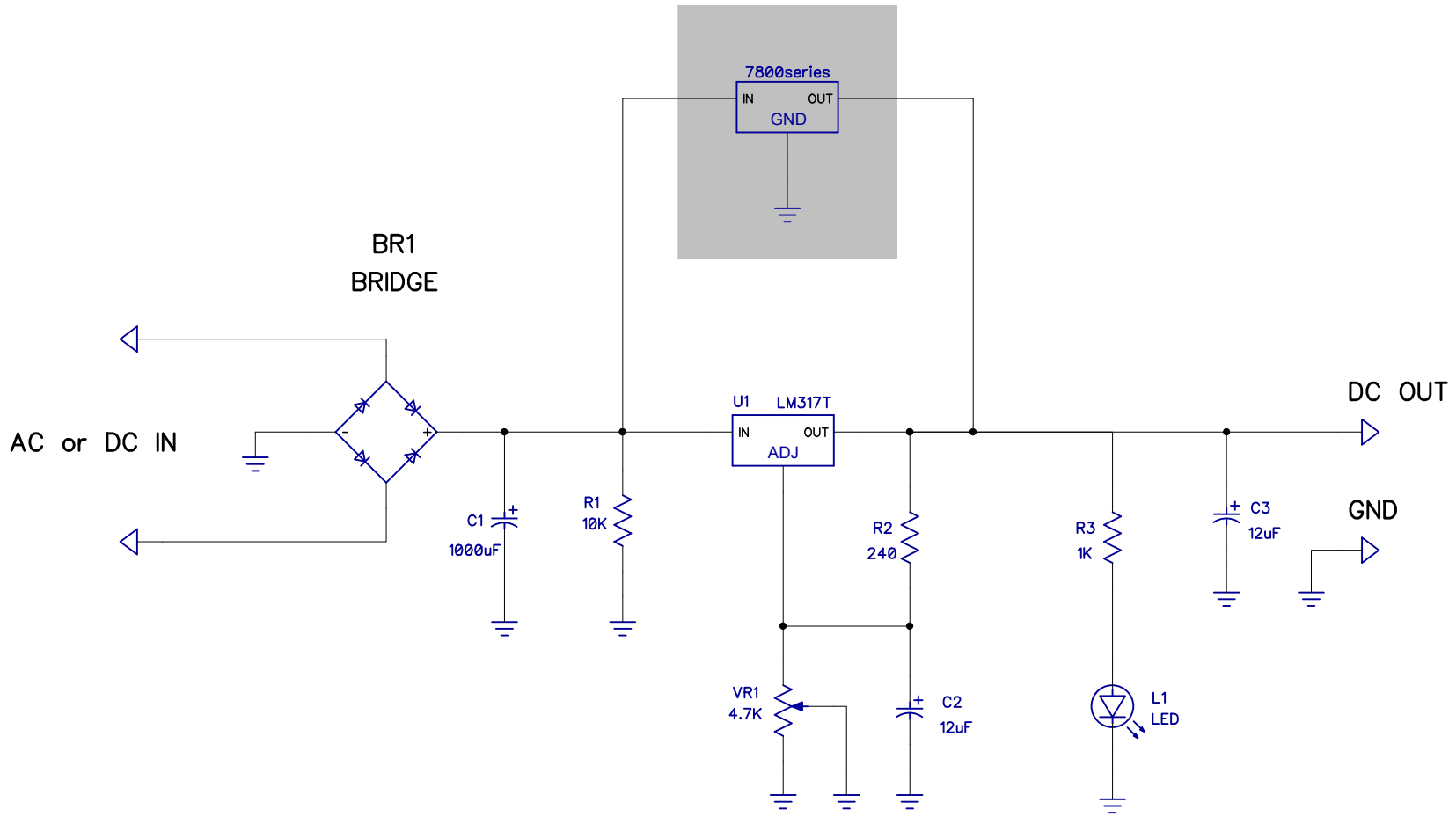


NOTES:

Components in the GRAY area are not installed when PCB is used as an Adjustable Power Supply.



NOTES:

- Do not apply more than 15 volts AC to the AC Inputs.
- Do not apply 120 VAC directly to the AC Inputs.
- Requires a Step-Down Transformer if connecting to the 120 VAC line.
- U1 may require a heat sink if it gets hot to the touch.

NightFire Electronics		
#2071	Adjustable Power Supply www.vakits.com	Rev A