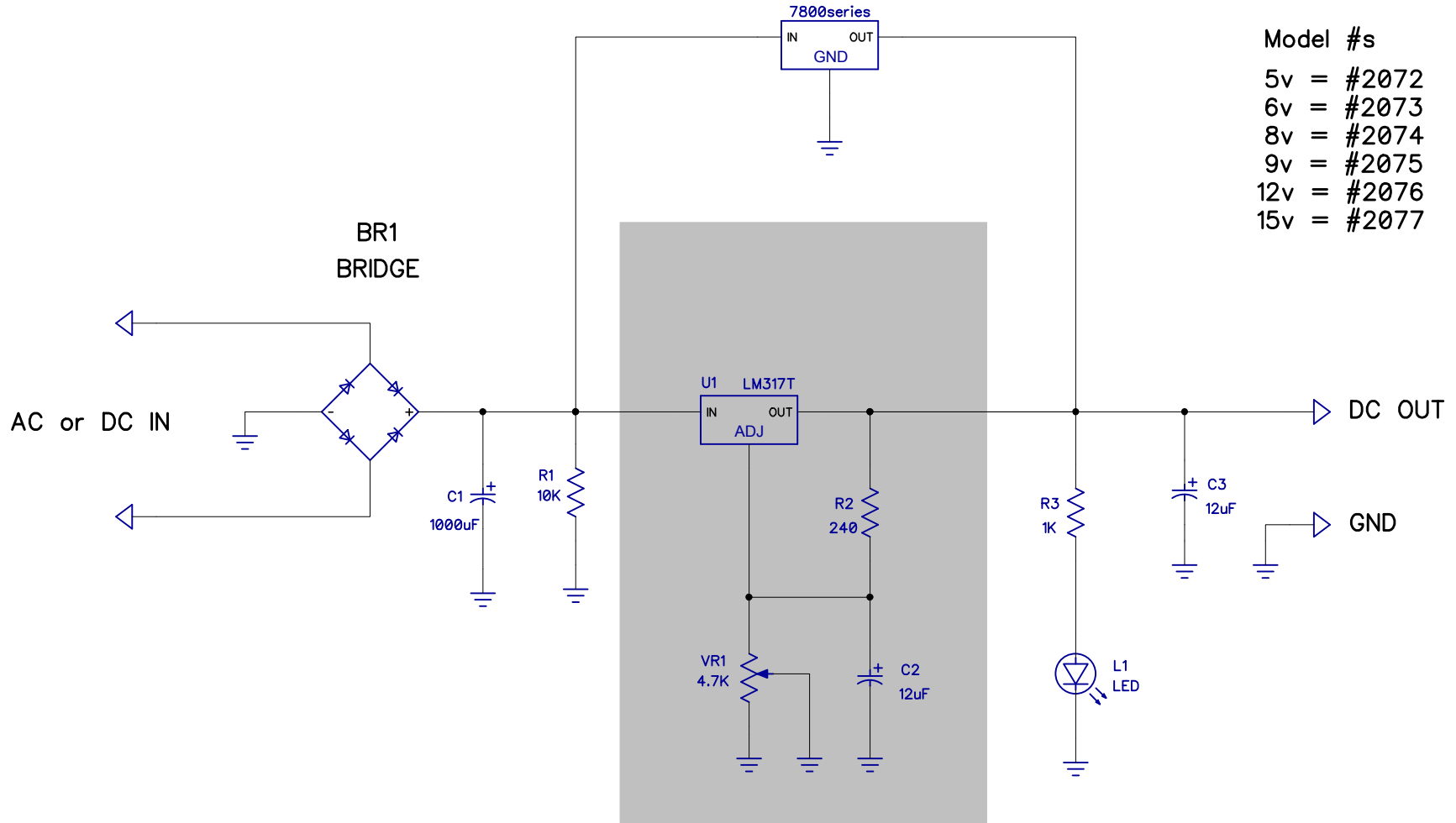


NOTES:

Components in the GRAY area are not installed when PCB is used as a FIXED Power Supply.



Model #s

- 5v = #2072
- 6v = #2073
- 8v = #2074
- 9v = #2075
- 12v = #2076
- 15v = #2077

NOTES:

- Do not apply more than 25 volts DC to the AC inputs.
- Do not apply more than 15 volts AC to the AC inputs.
- Do not apply 120 VAC directly to the AC inputs.
- Requires a Step-Down Transformer if connecting to the 120 VAC line.

NightFire Electronics		
	BreadBoard Pwr Supply	Rev A
www.vakits.com		