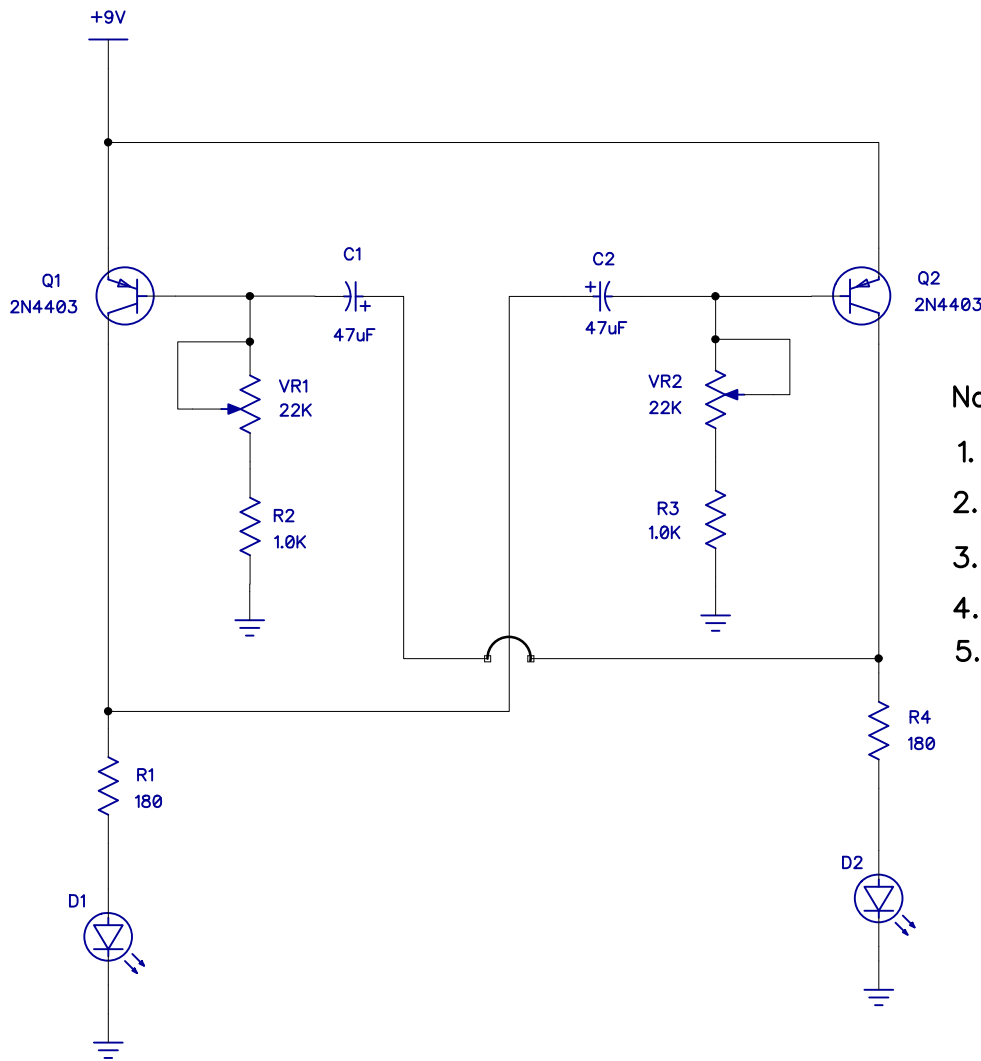


1

2

A

A



Notes:

1. Transistors are PNPs.
2. Adjust VR1 & VR2 for equal timing.
3. R1 & R4 may be lowered for more Brightness.
4. Increase Caps for lower speeds.
5. LEDs may not go all of the way off.

- #2104 = Red
- #2106 = Green
- #2107 = Yellow
- #2111 = Blue
- #2112 = White
- #2114 = Orange

B

B

NightFire Electronics

LED Blinky

Rev A

1

2