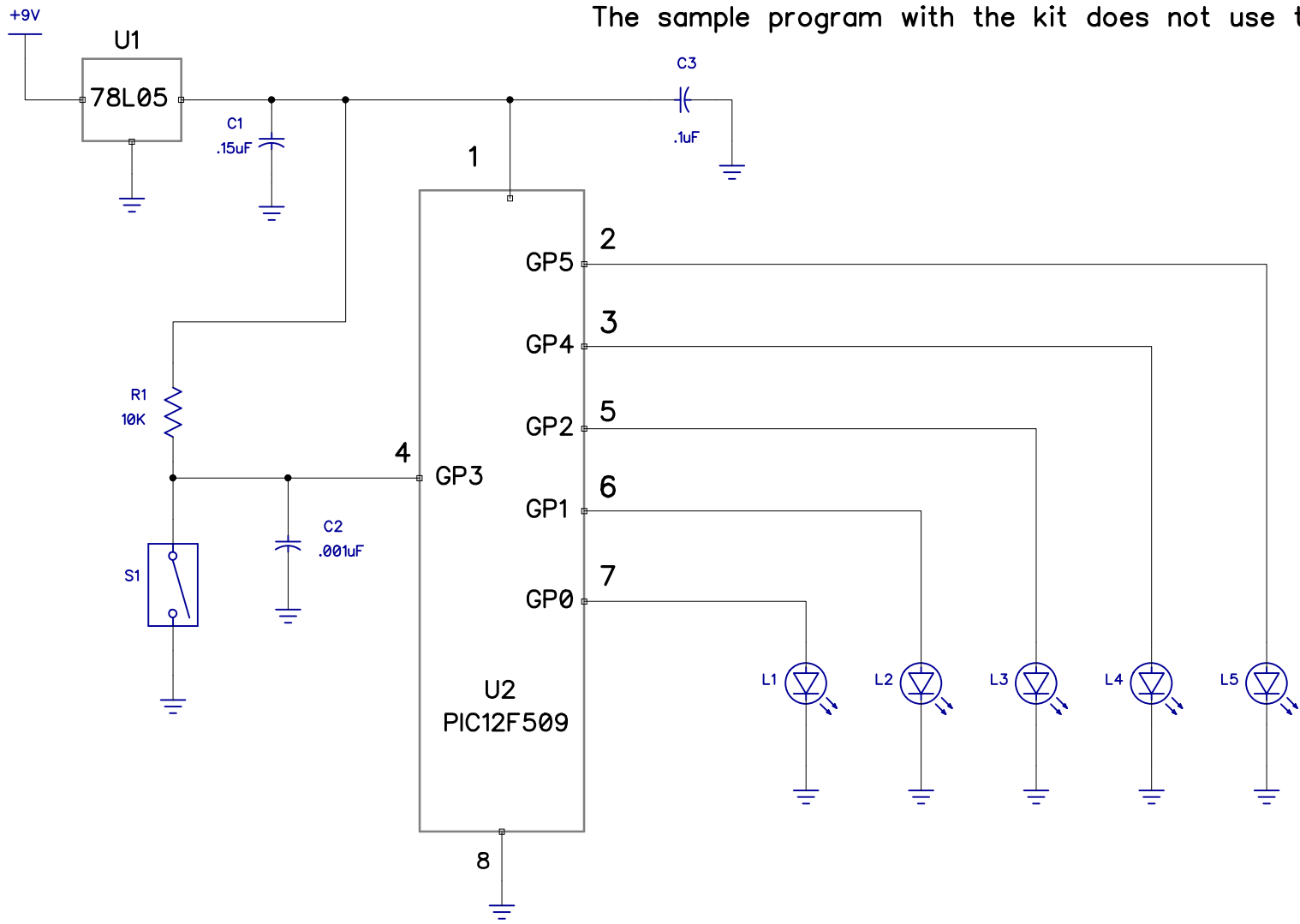


1

2

Note:
The sample program with the kit does not use the switch.



A

A

B

B

REVISIONS				
ZONE	REV	DESCRIPTION	DATE	APPROVED
PIC Robot Eyes LED Flasher NightFire Electronics				

1

2