

1

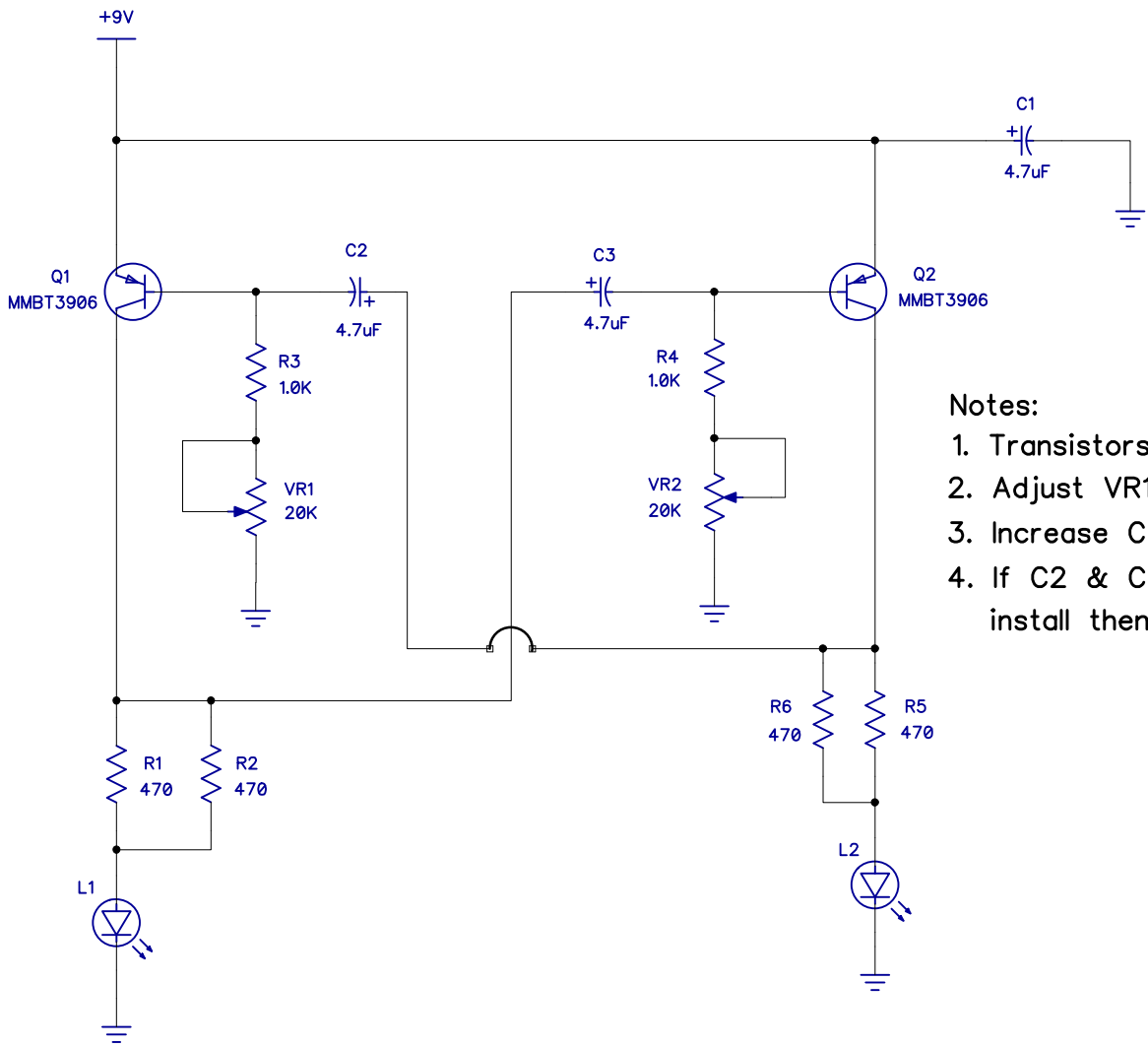
2

A

A

B

B



- Notes:
1. Transistors are PNPs.
 2. Adjust VR1 & VR2 for equal timing.
 3. Increase Caps for lower speeds.
 4. If C2 & C3 are SMT Aluminum Caps, then install them with their black bands on the + side.

- #2157 = Red
- #2162 = Green
- #2134 = Yellow
- #2135 = Blue
- #2143 = White

NightFire Electronics		
	SMT LED Blinky	Rev A

1

2