

1

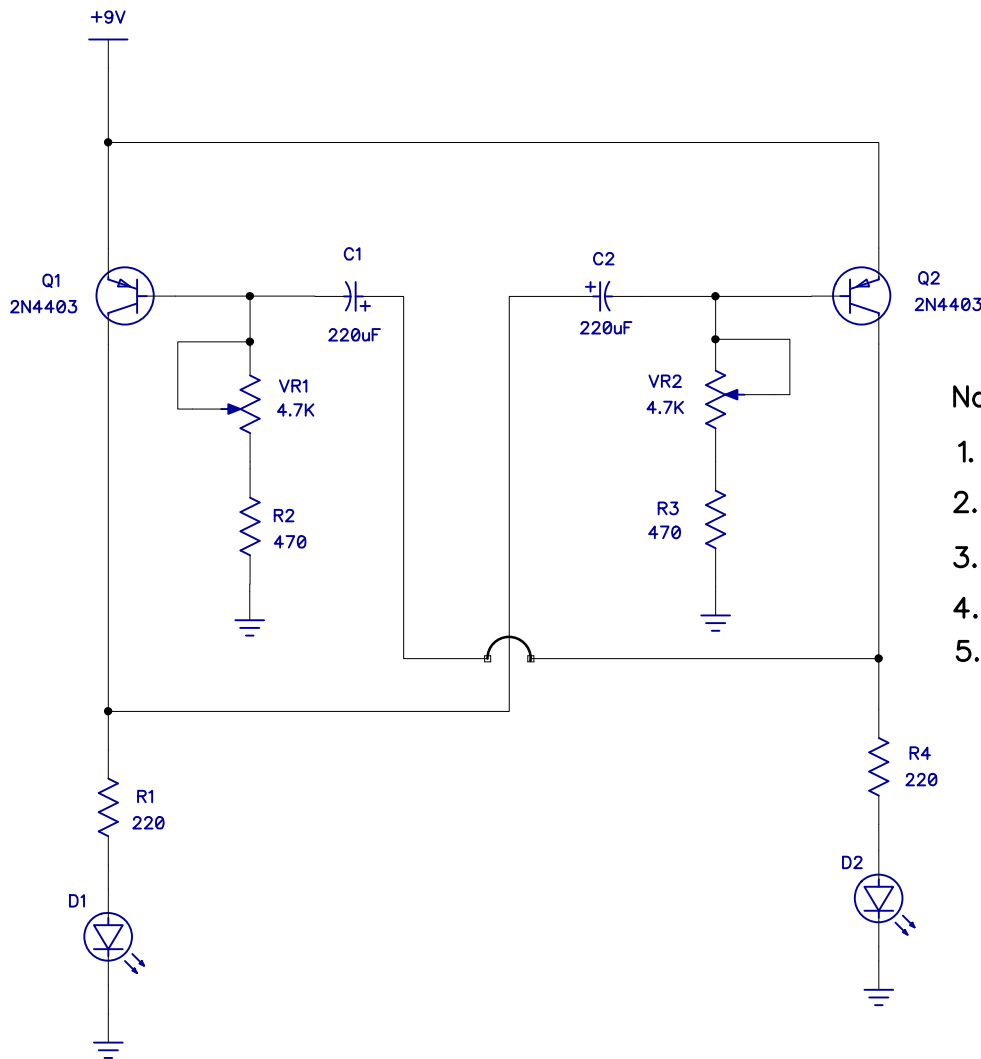
2

A

A

B

B



Notes:

- 1. Transistors are PNPs.
- 2. Adjust VR1 & VR2 for equal timing.
- 3. R1 & R4 may be lowered for more Brightness.
- 4. Increase Caps for lower speeds.
- 5. LEDs may not go all of the way off.

- #2104 = Red
- #2106 = Green
- #2107 = Yellow
- #2111 = Blue
- #2112 = White
- #2114 = Orange

NightFire Electronics		
	LED Blinky	Rev B

1

2